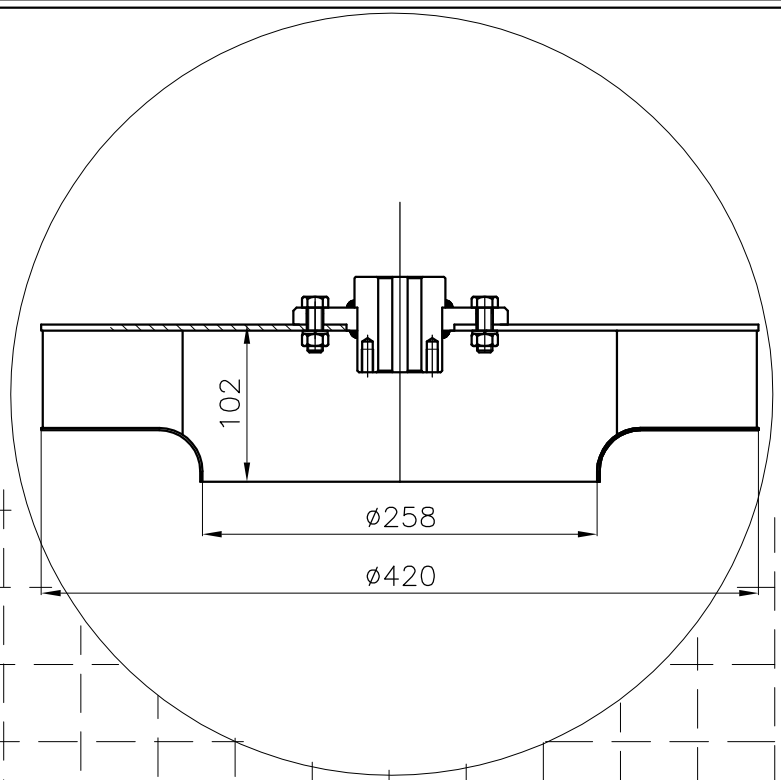


P_c
[Pa]

1600
1500
1400
1300
1200
1100
1000
900
800
700
600
500
400
300
200
100

0 0.1 0.2 0.3 0.4 0.5 0.6 0.7 0.8 0.9 1.0 1.1 1.2 1.3 1.4 1.5 1.6
 Q [m³/s]

0 720 1440 2160 2880 3600 4320 5040 5760
 Q [m³/h]



$N=2.2\text{kW}$ $n=2000\text{obr/min}$

$N=1.1\text{kW}$ $n=1850\text{obr/min}$

Charakterystyka teoret. WP256/420
napęd pasowy

$N=1.1\text{kW}$
 $n=1850\text{obr/min}$

UNI-PRO Radom

$N=2,2\text{kW}$
 $n=2000\text{obr/min}$